
Comfort-Cire®

 **Century**®

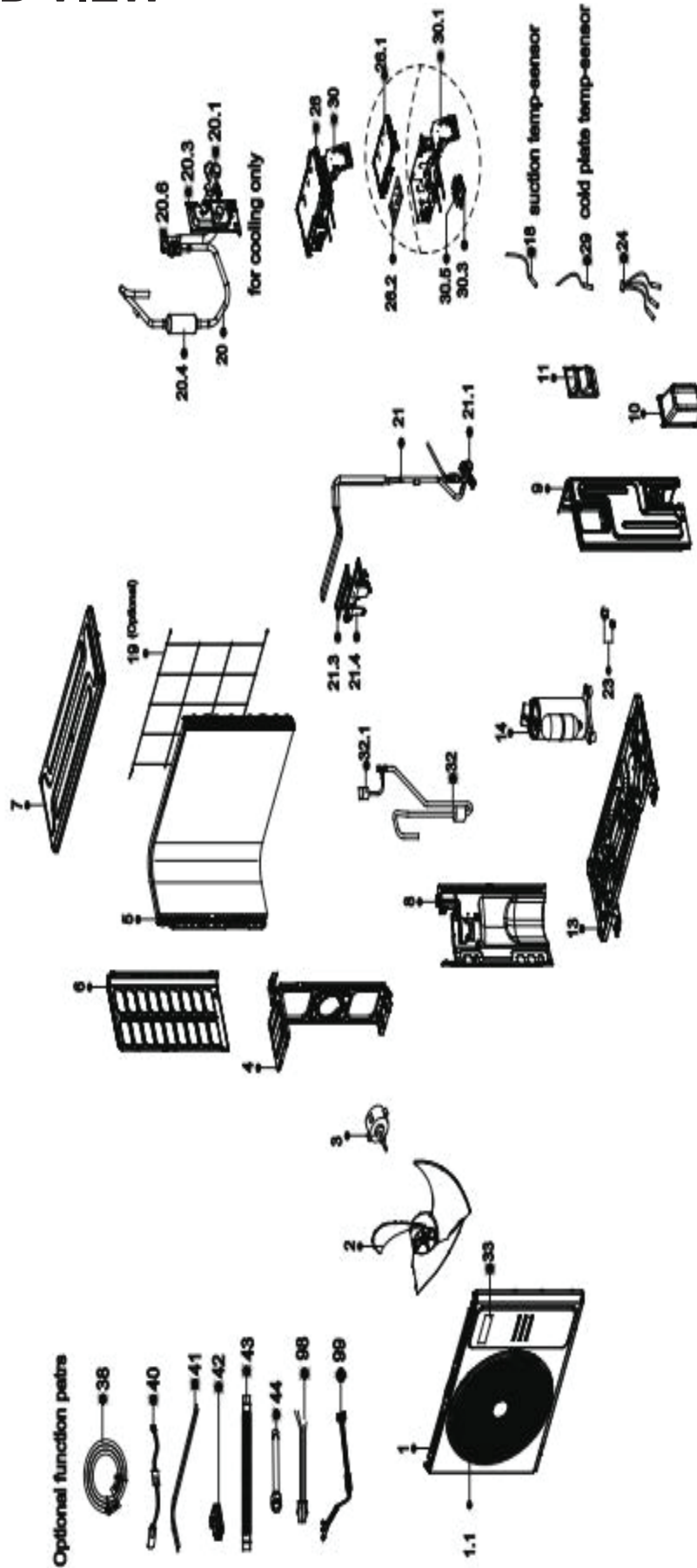
MARS®
Delivering Confidence

REPLACEMENT PARTS LIST

Horizontal Discharge Condenser

CXP1530SA-1

EXPLODED VIEW



REPLACEMENT PARTS

Location	Part Name	Quantity	Part No.
1	Front panel assembly	1.0	12222000A06282
1.1	Air outlet grille	1.0	12222000A06092
2	axial flow fan	1.0	12100105000841
3	Motor	1.0	11002015000366
4	Motor bracket	1.0	12222000012371
5	Condenser assembly	1.0	15822000011746
6	Left supporter	1.0	12222000013472
7	Top cover	1.0	12222000013465
8	Partition board	1.0	12222000013245
9	right side plate	1.0	12222000013466
10	Water collector	1.0	12122000007150
11	handle	1.0	12222000010966
13	Chassis assembly	1.0	12222000014054
14	compressor	1.0	11103020010159
18	Pipe temperature sensor	1.0	11201007000124
19	Rear Grille	1.0	12222000013085
20	4-ways valve or Gas valve assembly	1.0	15422000028618
20.1	Gas valve	1.0	15500204000662
20.3	Valve plate	1.0	12222000019346
20.4	Muffler assembly	1.0	15122000037589
20.6	pressure sensor	1.0	11201008000773
21	High pressure valve assembly	1.0	15422000028617
21.1	High pressure valve	1.0	15500204000665
21.3	Radiator	1.0	11203803001176
21.4	U-Typed Support with Copper Pipe	1.0	12122000011478
23	Copper nut	1.0	15500406000010
23	Copper nut	1.0	15500406000008
24	combination sensor	1.0	11201011001047
26	Electronic control box subassembly	1.0	17222000047798
26.1	Electronic installing box	1.0	12122000008999
26.2	main control board assembly	1.0	17122000068831
29	Pipe temperature sensor	1.0	11201007003445
30	Inverter module box subassembly	1.0	17222000047799
30.1	Electronic control box terminal board assembly	1.0	12222000019347
30.3	Electronic installing box	1.0	12122000035062
30.5	Data Conversion Module Subassembly	1.0	17122000068832
32	Discharge pipe assembly	1.0	15122000033385
32.1	Pressure switch	1.0	17400516000849
33	Outdoor unit trademark	1.0	16000201001228
40	Crankcase electric heater	1.0	17402001001499
44	evaporator connecting pipe subassembly	1.0	15123000012948
44	evaporator connecting pipe subassembly	1.0	15123000012887
99	compressor connection cable	1.0	17401203012697

Due to ongoing product improvements, specifications and dimensions are subject to change and correction without notice or incurring obligations. Determining the application and suitability for use of any product is the responsibility of the installer. Additionally, the installer is responsible for verifying dimensional data on the actual product prior to beginning any installation preparations.

Incentive and rebate programs have precise requirements as to product performance and certification. All products meet applicable regulations in effect on date of manufacture; however, certifications are not necessarily granted for the life of a product. Therefore, it is the responsibility of the applicant to determine whether a specific model qualifies for these incentive/rebate programs.

Comfort-Cire®  **Century**®

1900 Wellworth Ave., Jackson, MI 49203 • Ph. 517-787-2100 • www.marsdelivers.com

