



# Submittal Form



<b>DVH18SH-1</b>	<b>18,000 BTU/H(208/230V)</b>	<b>Wall Mounted Heat Pump System</b>
Location: _____	Approval: _____	
Engineer: _____	Date: _____	
Submitted to: _____	Construction: _____	
Submitted by: _____	Unit #: _____	
Reference: _____	Drawing #: _____	

<b>Set Code</b>	22022010017319
Indoor unit code	22022011018503
Outdoor unit code	22022016016720
<b>Set Model</b>	
Indoor unit model	B-DVH18SH-1
Outdoor unit model	A-DVH18SH-1
<b>Certified</b>	
AHRI	
UL	

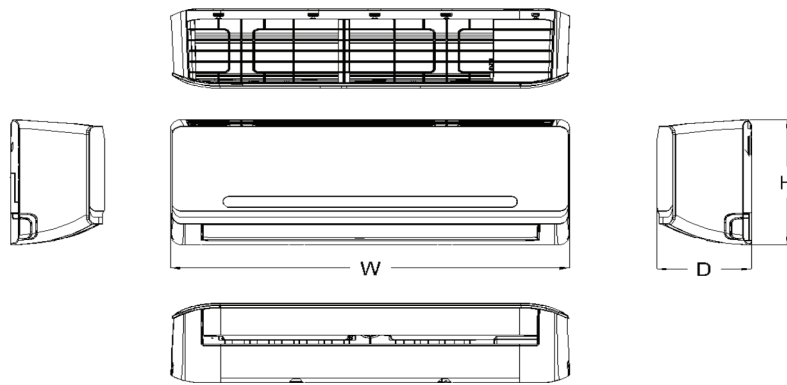


SYSTEM PERFORMANCE DATA		
<b>Power supply</b>		
Normal Operational Voltage	(V, Ph, Hz)	208/230V, 1Ph, 60Hz
Voltage Range	(V)	187-253
<b>Electrical</b>		
Minimum circuit ampacity	(A)	15
Max.fuse	(A)	20
Connection wiring		14*4 AWG
<b>Cooling</b>		
Rated Capacity	(Btu/h)	18000
Capacity Range	(Btu/h)	3900~20000
Power Input (Max)	(W)	1715
Rated current	(A)	7.5
SEER	(Btu/W)	19
EER	(Btu/W)	10.5
<b>Heating at 47F</b>		
Rated Capacity	(Btu/h)	18800
Capacity Range	(Btu/h)	6300~19400
Power Input (Max)	(W)	1883
Rated current	(A)	/
HSPF4	(Btu/W)	10
HSPF5	(Btu/W)	8.3
COP	W/W	2.93
<b>Heating at 17F</b>		
Max Capacity	(Btu/h)	12300
<b>REFRIGERANT PIPE DATA</b>		
Design pressure	(PSIG)	550/340
Refrigerant Type	(Oz)	R410A/47.6
Refrigerant precharge	(ft)	25.0
	(m)	7.6
Additional charge for each ft	(oz/ft)	0.16
	(g/ft)	15
Liquid side/ Gas side	(inch)	1/4" / 1/2"
	(mm)	Φ6.35 / Φ12.7
Max. pipe length	(ft)	98.0
	(m)	30
Max. difference in level	(ft)	66.0
	(m)	20
Connection method		(Flared)
Indoor(cooling/ heating)	(Deg. °F)	63~90 / 32~86
	(Deg. °C)	17~32 / 0~30
Outdoor(cooling/heating)	(Deg. °F)	5~122 / 5~75
	(Deg. °C)	-15~50 / -15~24
Application area	(sq.ft)	258.33~376.74
	(m2)	24~35

INDOOR UNIT DATA		
<b>Indoor fan motor</b>		
Type		Cross-Flow
Model		ZKFP-30-8-3-10
Qty		1
Input	(W)	36.0
RLA	(A)	0.4
LRA	(A)	---
Winding Resistance	(Ω)	---
Capacitor	(uF)	---
Speed(Hi/Mi/Lo)	(r/min)	1100/800/750
<b>Air flow &amp; Noise level</b>		
Indoor air flow (Hi/Med/Lo) (l)	(CFM)	388.24/258.82/217.65
Indoor noise level (Hi/Med/Li)	[dB(A)]	43.5/34.5/30.0
<b>Dehumidification</b>		
	(Pint/H)	---
<b>Indoor unit</b>		
Dimension (WxDxH)	(inch)	37.99x8.46x12.56
	(mm)	965x215x319
Packing(WxDxH)	(inch)	41.14x12.01x16.14
	(mm)	1045x305x410
Net/Gross weight	(lbs.)	23.81/31.53
	(kg)	10.8/14.3

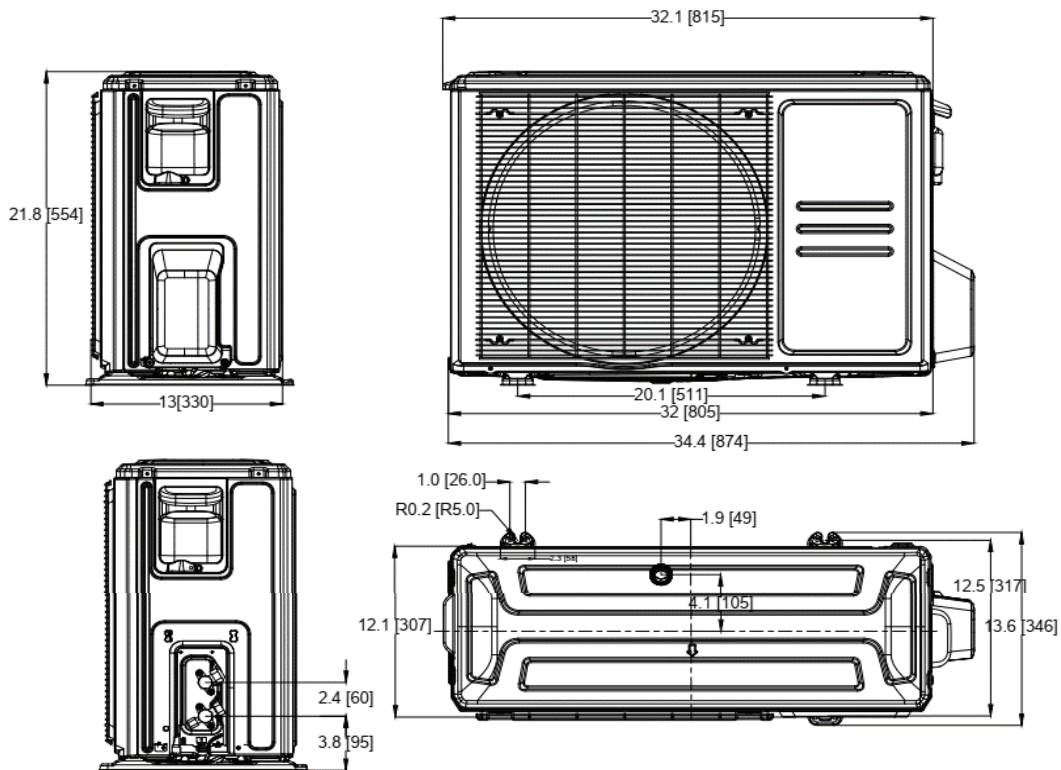
OUTDOOR UNIT DATA		
<b>Compressor</b>		
Type		KSN140D21UFZ
Model		ROTARY
Brand		GMCC
Capacity	(Btu/h)	14962.24106
Input	(W)	1140
Rated current (RLA)	(A)	-
Refrigerant oil/oil charge	(ml)	-
Throttle		Capillary
<b>Outdoor fan motor</b>		
Model		ZKFN-34-10-1-3
Qty		1
Input	(W)	--
RLA	(A)	--
Speed	(r/min)	950/800/650/450
<b>Air flow &amp; Noise level</b>		
Outdoor air flow (Max.)	(CFM)	1235.29
Outdoor noise level	[dB(A)]	57.00
<b>Outdoor unit</b>		
Dimension (WxDxH)	(inch)	31.69x12.99x21.81
	(mm)	805x330x554
Packing (WxDxH)	(inch)	36.02x14.57x24.21
	(mm)	915x370x615
Net/ Gross weight	(lbs.)	73.85/79.81
	(kg)	33.5/36.2

### Indoor unit dimension



Capacity	Body Code	W(mm)	D(mm)	H(mm)
7K~9K	A	722	187	290
9K~12K	B	802	189	297
12K~18K	D	965	215	319
18K~24K	E	1080	226	335
27K~36K	F	1259	282	362
30K~36K	G	1350	272	365

### Outdoor unit dimension



### General Features

- Wireless Remote with LCD Display
- 46F Heating
- Sleep Mode(optional)
- Silent Mode
- Self Clean
- Follow Me (optional)