

VMH30SG-1	30,000 BTU/H(208/230V)	Wall Mounted Heat Pump System
Location: _____	Approval: _____	
Engineer: _____	Date: _____	
Submitted to: _____	Construction: _____	
Submitted by: _____	Unit #: _____	
Reference: _____	Drawing #: _____	

Set Code	22022010015137
Indoor unit code	22022011016401
Outdoor unit code	22022016016360
Set Model	
Indoor unit model	B-VMH30SG-1
Outdoor unit model	A-VMH30SG-1
Certified	AHRI  UL 



SYSTEM PERFORMANCE DATA		
Power supply		
Normal Operational Voltage	(V, Ph, Hz)	208/230,1,60
Voltage Range	(V)	187-253
Electrical		
Minimum circuit ampacity	(A)	23.0
Max.fuse	(A)	30.0
Connection wiring		16*4 AWG
Cooling		
Rated Capacity	(Btu/h)	30000
Capacity Range	(Btu/h)	9070~30700
Power Input (Max)	(W)	2605
Rated current	(A)	11.4
SEER	(Btu/W)	20
EER	(Btu/W)	11.5
Heating at 47F		
Rated Capacity	(Btu/h)	30000
Capacity Range	(Btu/h)	8600~34800
Power Input (Max)	(W)	3380
Rated current	(A)	14.7
HSPF4	(Btu/W)	9.6
HSPF5	(Btu/W)	8
COP	W/W	2.60
Heating at 17F		
Max Capacity	(Btu/h)	19000
REFRIGERANT PIPE DATA		
Design pressure	(PSIG)	550/340
Refrigerant Type	(Oz)	R410A/97
Refrigerant precharge	(ft)	25.0
	(m)	7.6
Additional charge for each ft	(oz/ft)	0.32
	(g/ft)	30
Liquid side/ Gas side	(inch)	3/8" / 5/8"
	(mm)	9.52/15.9
Max. pipe length	(ft)	164.0
	(m)	50.0
Max. difference in level	(ft)	82.0
	(m)	25.0
Connection method		(Flared)
Indoor(cooling/ heating)	(Deg. °F)	63~90 / 32~86
	(Deg. °C)	17~32 / 0~30
Outdoor(cooling/heating)	(Deg. °F)	5~122 / 5~86
	(Deg. °C)	-15~50 / -15~30
Application area	(sq.ft)	430.56~635.07
	(m2)	40~59

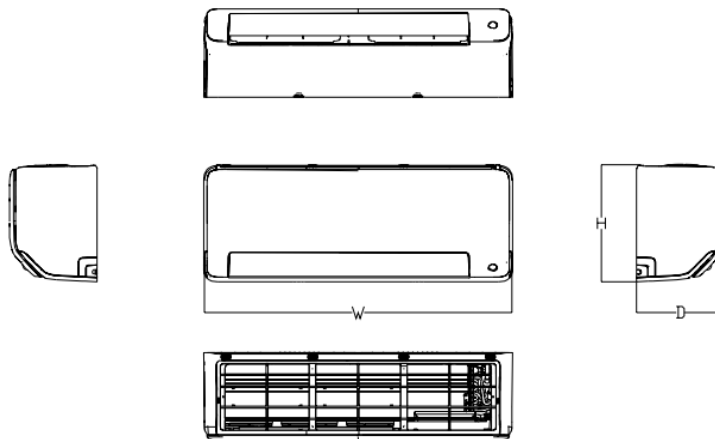
INDOOR UNIT DATA		
Indoor fan motor		
Type		Cross-Flow
Model		ZKFP-58-8-1-6
Qty		1
Input	(W)	58.0
RLA	(A)	0.5
LRA	(A)	---
Winding Resistance	(Ω)	---
Capacitor	(uF)	---
Speed(Hi/Mi/Lo)	(r/min)	1050/880/630
Air flow & Noise level		
Indoor air flow (Hi/Med/Lo) (No d	(CFM)	646.47/505.29/382.35
Indoor noise level (Hi/Med/Lo)	[dB(A)]	46/40.5/33
Dehumidification	(Pint/H)	---
Indoor unit		
Dimension (WxDxH)	(inch)	44.88x10.83x14.57
	(mm)	1140x275x370
Packing(WxDxH)	(inch)	48.43x17.91x13.98
	(mm)	1230x455x355
Net/Gross weight	(lbs.)	43.65/54.89
	(kg)	19.8/24.9

OUTDOOR UNIT DATA		
Compressor		
Type		KTF250D22UMT
Model		ROTARY
Brand		GMCC
Capacity	(Btu/h)	27621.286
Input	(W)	2200
Rated current (RLA)	(A)	-
Refrigerant oil/oil charge	(ml)	-
Throttle		Capillary +EXV
Outdoor fan motor		
Model		ZKFN-120-8-2
Qty		1
Input	(W)	--
RLA	(A)	--
Speed	(r/min)	900/750
Air flow & Noise level		
Outdoor air flow (Max.)	(CFM)	2235.30
Outdoor noise level	[dB(A)]	61.5
Outdoor unit		
Dimension (W×D×H)	(inch)	37.24x16.14x31.89
	(mm)	946x410x810
Packing (W×D×H)	(inch)	42.91x19.69x34.84
	(mm)	1090x500x885
Net/ Gross weight	(lbs.)	141.76/151.90
	(kg)	64.3/68.9

Indoor unit dimension

General Features

- Intelligent Eye(optional)
- Easy Installation
- Easy Maintenance
- Easy Clean
- High Efficiency
- Wireless Remote with LCD Display



Capacity	Body Code	W(mm/inch)	D(mm/inch)	H(mm/inch)
9k~12k	B	795/31.3	225/8.86	295/11.61
18k~24k	C	965/38	239/9.41	319/12.56
24k~36k	D	1140/44.88	275/10.83	370/14.57

Outdoor unit dimension

